



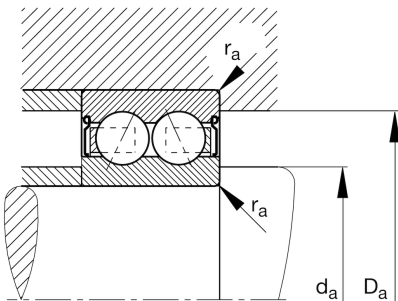
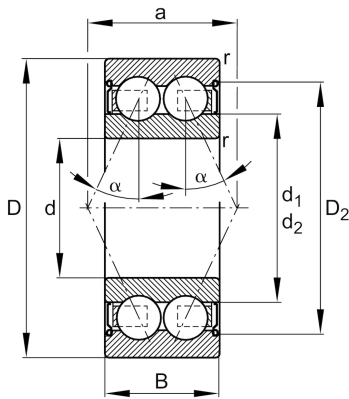
## 3004-2Z

Angular contact ball bearing

Schaeffler ID:  
0009588590000

Angular contact ball bearing 30..-B-2Z-TVH, double row, shields, plastic cage

### Technical information



### Main Dimensions & Performance Data

d	20 mm	Bore diameter
D	42 mm	Outside diameter
B	16 mm	Width
$C_r$	14.300 N	Basic dynamic load rating, radial
$C_{0r}$	9.400 N	Basic static load rating, radial
$C_{ur}$	490 N	Fatigue load limit, radial
$n_G$	13.600 1/min	Limiting speed
$n_{gr}$	13.200 1/min	Reference speed
	0,094 kg	Weight

### Mounting dimensions

$d_{a \min}$	23,2 mm	Minimum diameter shaft shoulder
$D_{a \max}$	38,8 mm	Maximum diameter of housing shoulder
$r_{a \max}$	0,6 mm	Maximum fillet radius

### Dimensions

$r_{\min}$	0,6 mm	Minimum chamfer dimension
$D_2$	36,4 mm	Caliber diameter outer ring
$d_2$	25,3 mm	Caliber diameter inner ring
a	21,1 mm	Distance between the apexes of the pressure cones
$\alpha$	25 °	Contact angle

### Temperature range

$T_{\min}$	-20 °C	Operating temperature min.
$T_{\max}$	120 °C	Operating temperature max.